

POWERSCREEN®

CT60R

TRACKED CONVEYOR



TECHNICAL SPECIFICATION - REV 0 01/04/2025





CT60R TRACKED CONVEYOR



OVERVIEW

SPECIFICATION

Total Weight	8,000kg (30,468bs)
Transport	Length 11.99m (39' 4")
	Height 2.58m (8' 5.5")
	Width 2.23m (7' 4")
Working @ 24°	Length 17.73m (58' 2")
	Height 8.44m (27' 8")
	Width 4.28m (17')
Power Unit	Tier 3: Cat C2.2 37kW (50hp) or, Tier 4F: Cat C1.7 37kW (50hp) or, Stage V: Cat C1.7 37kW (50hp)
Plant Colour	Blue RAL 5021, Grey RAL 7024

NOTE: Dimensions may differ slightly from sales drawings due to differences in angles / reference points.

FEATURES & BENEFITS

- High capacity up to 500tph (551 US tph).
- Maximum feed size up to 200mm (8").
- Eliminates the need for wheeled loaders to create stockpiles - reduces labour and maintenance costs.
- Eliminates the need for handling material multiple times - reduces labour and maintenance costs.
- Improved material quality due to reduced compaction, degradation, segregation and contamination.
- Can accept loads from multiple sources.
- Multiple hopper options available depending on required capacities and operators loading methods or application.
- Rapid set up time and manoeuvrability around site.
- Reduced fuel consumption due to reduced reliance on wheeled loaders.
- Reduced wear on wheeled loaders where a conveyor is utilised.
- Hydraulic folding head section.
- Tensioned polyurethane belt cleaner.
- Hydraulic feed in height adjustment.
- Hydraulic fold over for transport.
- SCS scraper.
- 45 degree rollers.
- Variable speed conveyor via engine speed.
- Feedboot with removable 6mm steel wear liners.

APPLICATIONS



Aggregate

Sand & gravel
Blasted rock
River rock



Recycling

C&D waste
Foundry waste



Mining

Processed ores
Processed minerals



CT60R TRACKED CONVEYOR



↓ FEEDBOOT

Standard Feedboot Capacity:	2.26m ³ (2.96yd ³)
Feed in Width:	2090mm (6' 10")
Standard Min Feed Height @24°:	1920mm (6' 3")





CT60R TRACKED CONVEYOR



DISCHARGE CONVEYOR

Width:	900mm (36")
Belt Centres:	15.24m (50')
Belt Type:	Plain
Belt Spec:	EP300 3 PLY
Drive Drum Dia:	344mm (14")
Tail Drum Dia:	275mm (11")
Max Belt Speed:	180m/m
Motor Size:	500cc
Operating Angle:	10° - 24°
Discharge Height @18°:	6.8m (22' 4")
Stockpile Capacity @18° & 37° Angle of Repose:	2928m ³ (3700 Cu.Yd)
Discharge Height @24°:	8.44m (27' 8")
Stockpile Capacity @24° & 37° Angle of Repose:	4574m ³ (5982 Cu.Yd)
Variable Speed:	Via engine speed





CT60R TRACKED CONVEYOR



↓ TRACKS

Shoe Width:	400mm (1' 4")
Sprocket Centre:	1790mm (5' 10")
Gradability:	120°
Speed:	2.8km/h





CT60R TRACKED CONVEYOR



↓ POWER UNIT & HYDRAULICS

Engine (Tier 3): Cat C2.2
Power Rating: 37kW (50hp)
RPM: 2800rpm
Crankshaft Pump: 33cc

Engine (Stage V): Cat C1.7
Power Rating: 37kW (50hp)
RPM: 2800rpm
Crankshaft Pump: 33cc

Engine (Tier 4F): Cat C1.7
Power Rating: 37kW (50hp)
RPM: 2800rpm
Crankshaft Pump: 33cc

Diesel Tank Capacity: 228L (60 US GAL)
Hydraulic Tank Capacity: 290L (77 US GAL)





CT60R TRACKED CONVEYOR



OPTIONS

- Dual Power (Electric/Hydraulic - Diesel/Hydraulic)
- Heavy duty 4 ply belt
- Chevron belt (C15/C25)
- Under guarding cover
- Basket guards
- Anti roll backs
- Fully auto radial
- Fully auto machine - raise/lower conveyor , track, radial and start/stop belts
- Twin Drive - 2 off OMV 400 motors
- Dual drive electric/hydraulic set up
- SCS primary scraper



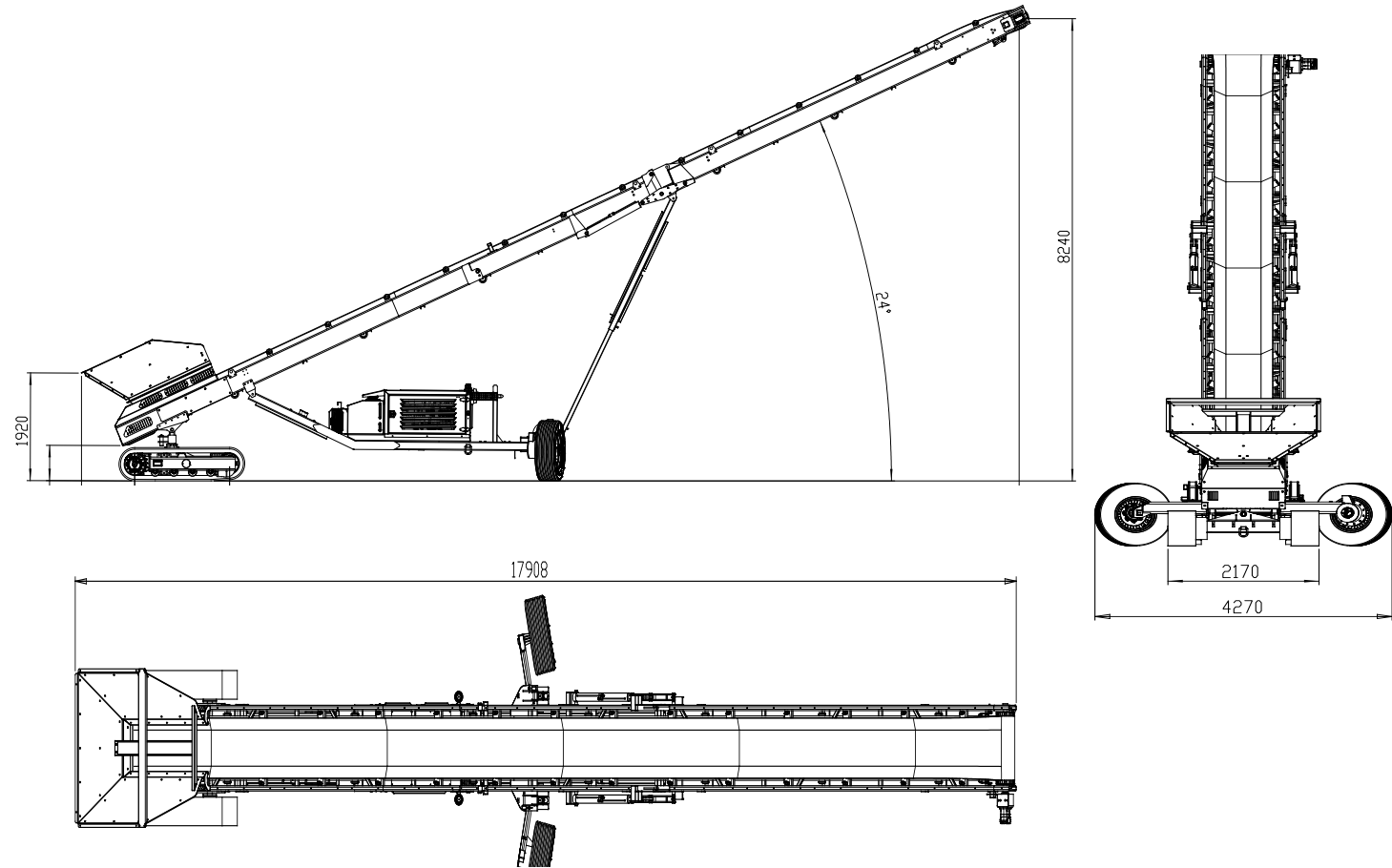


CT60R TRACKED CONVEYOR



DIMENSIONS

Figure 1: Powerscreen CT60R
Working Position



[MORE DIMENSIONS OVERLEAF](#)

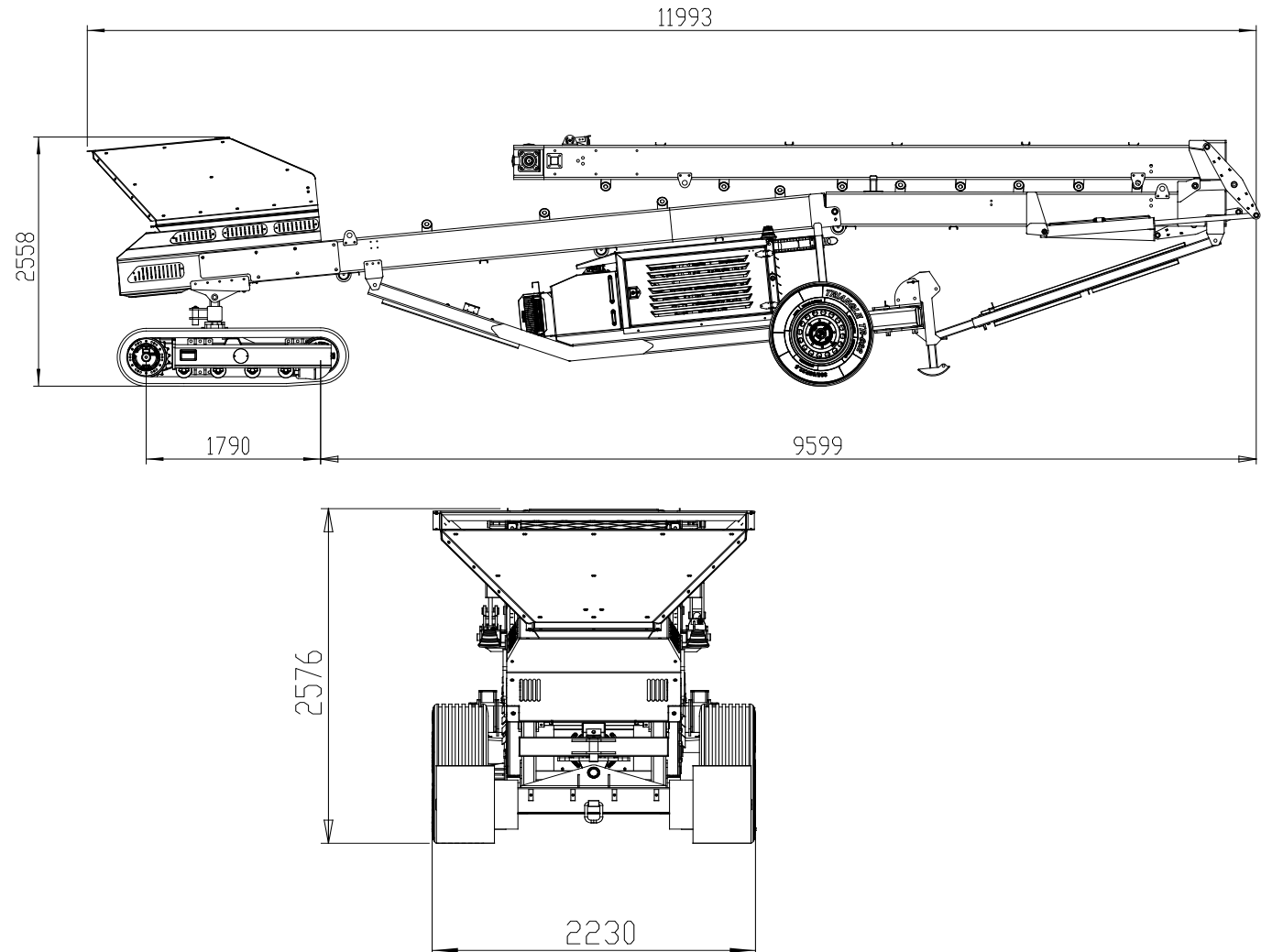


CT60R TRACKED CONVEYOR



DIMENSIONS

Figure 2: Powerscreen CT60R
Transport Position (Road)



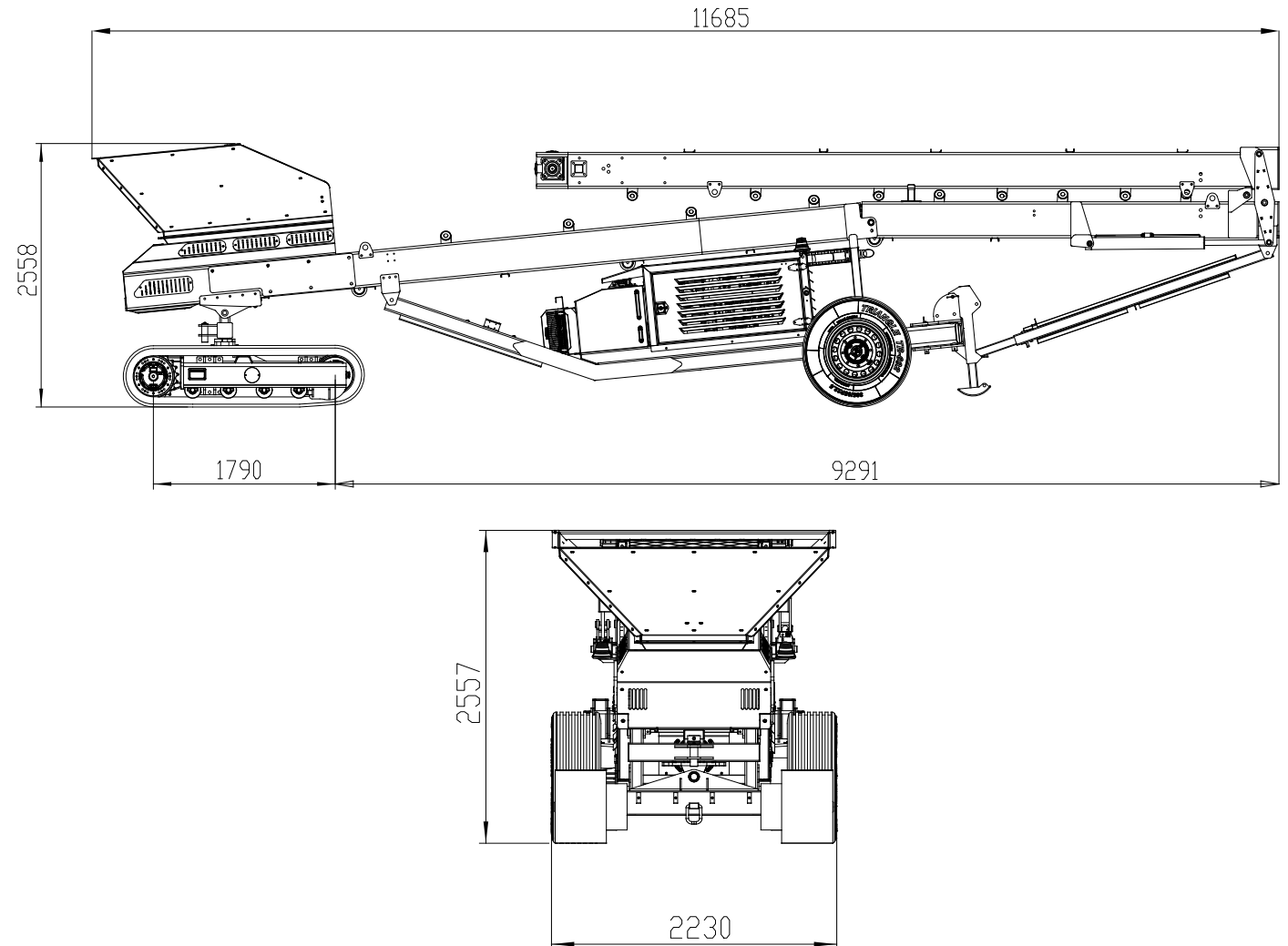


CT60R TRACKED CONVEYOR



DIMENSIONS

Figure 2: Powerscreen CT60R
Transport Position (Container)





Powerscreen equipment complies with CE requirements.

Please consult Powerscreen if you have any other specific requirements in respect of guarding, noise or vibration levels, dust emissions, or any other factors relevant to health and safety measures or environmental protection needs. On receipt of specific requests, we will endeavour to ascertain the need for additional equipment and, if appropriate, quote extra to contract prices.

All reasonable steps have been taken to ensure the accuracy of this publication, however due to a policy of continual product development we reserve the right to change specifications without notice.

It is the importers' responsibility to check that all equipment supplied complies with local legislation regulatory requirements.

Plant performance figures given in this brochure are for illustration purposes only and will vary depending upon various factors, including feed material gradings and characteristics. Information relating to capacity or performance contained within this publication is not intended to be, nor will be, legally binding.

GET IN TOUCH

Dungannon

200 Coalisland Road, Dungannon,
Co Tyrone, BT71 4DR, Northern Ireland
Tel: +44 (0) 28 87 718 500
Fax: +44 (0) 28 87 747 231

Louisville

11001 Electron Drive,
Louisville, Kentucky, 40299 USA
Tel: +1 502 736 5200
Fax: +1 502 736 5202

